

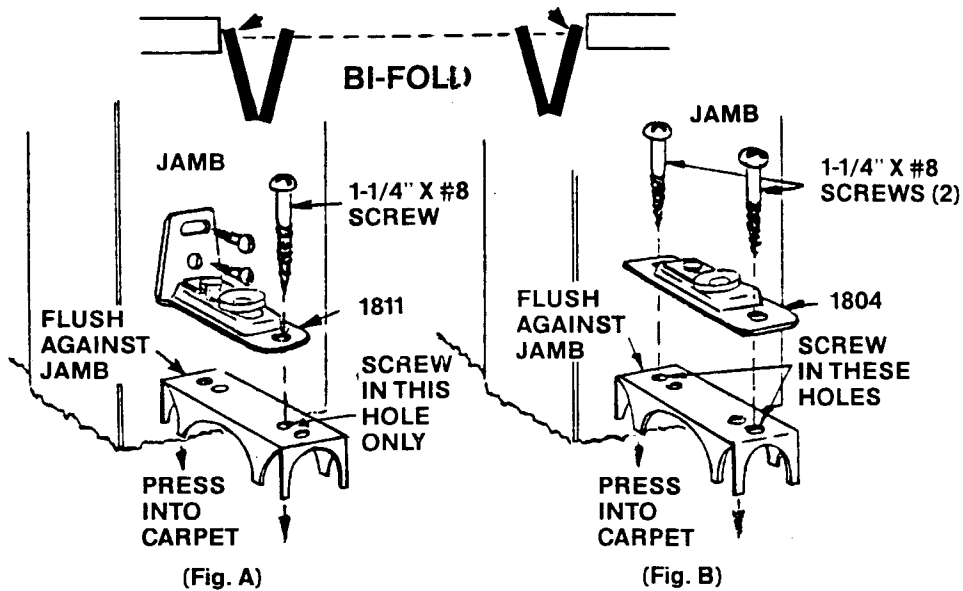


# 1836 BI-FOLD AND 2136 BY-PASS CARPET RISERS

Designed to eliminate troublesome conditions arising when installing bi-fold or by-pass doors in carpeted openings. The Carpet Risers' bridge design provides a gripping effect through the rug nap and into the solid backing, supporting and stabilizing the bi-fold brackets or by-pass guides for stronger installations without cutting the carpet or the use of wood shims.

## INSTALLATION INSTRUCTIONS FOR 1836 BI-FOLD CARPET RISER USED WITH 1811 JAMB MOUNT BRACKET OR 1804 FLOOR MOUNT BRACKET.

Remove Jamb Bracket from jamb if already mounted. Place Carpet Riser against jamb, aligning it with center of track above. Press Riser into carpet (see Fig. A) Mount Jamb Bracket, on top of riser, to floor with 1-1/4" x #8 screw provided with Riser. Fasten Jamb Bracket to jamb with the same screws used prior. (Doors may have to be cut off at bottom to fit opening when using Riser). In some cases, the adjusting bolt on bottom of the door can be raised to eliminate cutting of doors. Rehang doors. For 1804, Floor Mount Bracket is used, follow same procedure except mount bracket with two 1-1/4" x #8 screws as shown in Figure B.



## 2136 BY-PASS CARPET RISER FOR 2134 AND 2135 BY-PASS GUIDES

To locate mounting position of By-pass Riser, push both doors to one side against jamb. Place riser under doors letting it protrude half way, with small screw holes on outside. Be sure doors are hanging plumb. (See Fig. C). Push doors aside holding Riser in position and mount Riser to floor with 1-1/4" x #8 screws provided, using larger center holes. Allow doors to again hang plumb and place Guide on top of riser in proper position (See Fig. D). Fasten with 3/4" x #8 screws provided with guides.

